



A BETTER WAY TO FISH.™

40GVCN2-LH



FLY SERIES

CONGRATULATIONS and thank you for purchasing one of our Australian made fishing reel. These reels are constructed from the highest quality materials to ensure your reel will last for many years.

Plus, all these other advantages -

Control large fish with ease:

Powerful one-to-one wind means you only need about a quarter of the effort required to lift a similar weight on a spinning reel.

You can fish harder and longer:

Simple, rugged construction means you can forget that fiddly maintenance, because your Alvey reel will resist the effects of saltwater and sand.

Maintenance

After each day of fishing wash off the salt and sand. Use a light machine oil on working spindles, handle, index mechanism and drag pawl. Lubricate as above before storage.

Special Features

- Strong metal foot
- Stainless steel line guide
- Large drag adjusting knob
- Ratchet alarm on/off switch
- Suitable for 9-12wt fly line
- Non reverse action on/off

Non-Reversing Drag Models

The non-reverse series of reels allows line to be released under a pre-set pressure while the reel handle remains in a stationary position.

The small lever on the back of the reel operates the on/off mechanism that allows you to disengage the non-reverse action when required.

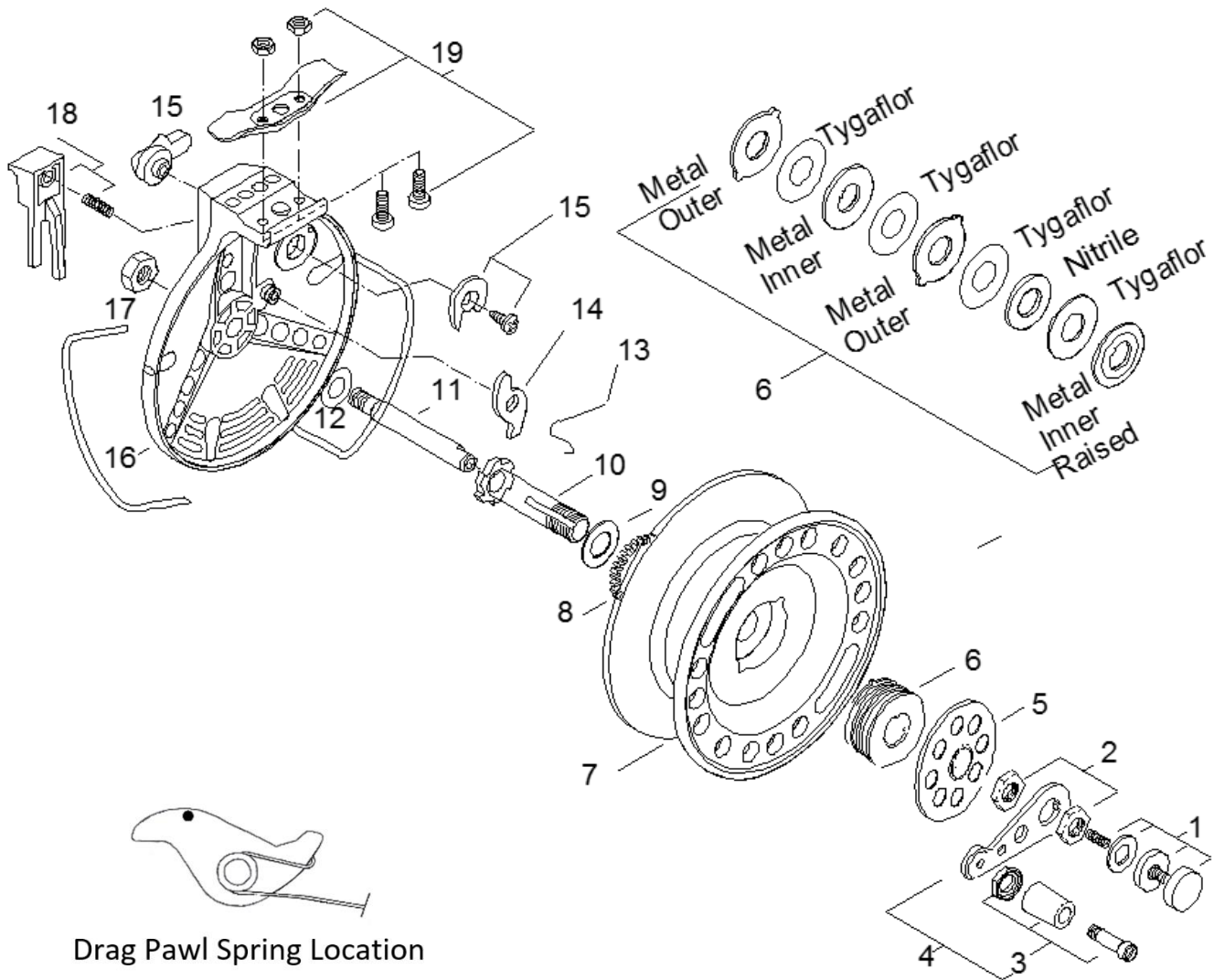


Alvey 10 Year Guarantee:

Any faulty Alvey part or reel will be replaced at no charge providing the manufacturer finds the part or reel has had normal usage and attention.

Reel Icon Pty Ltd Trading as
Alvey Reels Australia ABN 57 625 261 707
2-6 Antimony Street Carole Park Qld 4300
t: +61 7 3271 2844 f: +61 7 3271 2451

For more hints and tips on maintenance, please visit the **spare parts** page at
www.alvey.com.au
e: info@alvey.com.au
[#alveyreels](https://www.instagram.com/alveyreels)



Key	Part	Description	Key	Part	Description
1	R6E2	Spindle Screw	11	R6A22	Spindle
2	R7F1	Handle Lock Nuts	12	R6J7	Spindle Washer
3	R4F13	Handle Assembly	13	R5G4-LH	Drag Spring
4	R7E2	Handle-plate Assy	14	R7J6-LH	Drag Pawl
5	R7D2	Drag Tension Wheel	15	R7K9-LH	Non Reverse Lever Kit
6	R7B/C9	Drag Washer Set	16	R1A	Graphite Back
7	R4A	Spool Only	17	R6F1	Spindle Hex Nut
8	R5B6	Ratchet Wheel	18	R5E9	Ratchet Switch
9	R7H2	Friction Tube Washer	19	R2C4	Base Plate Assembly
10	R7A2-LH	Friction Tube			

Special Note: The 40GVCN2 cannot be converted from left hand wind to right hand wind. A right-hand wind version is available.



A BETTER WAY TO FISH.™

40GVCN2-LH



FLY SERIES

CONGRATULATIONS and thank you for purchasing one of our Australian made fishing reel. These reels are constructed from the highest quality materials to ensure your reel will last for many years.

Plus, all these other advantages -

Control large fish with ease:

Powerful one-to-one wind means you only need about a quarter of the effort required to lift a similar weight on a spinning reel.

You can fish harder and longer:

Simple, rugged construction means you can forget that fiddly maintenance, because your Alvey reel will resist the effects of saltwater and sand.

Maintenance

After each day of fishing wash off the salt and sand. Use a light machine oil on working spindles, handle, index mechanism and drag pawl. Lubricate as above before storage.

Special Features

- Strong metal foot
- Stainless steel line guide
- Large drag adjusting knob
- Ratchet alarm on/off switch
- Suitable for 9-12wt fly line
- Non reverse action on/off

Non-Reversing Drag Models

The non-reverse series of reels allows line to be released under a pre-set pressure while the reel handle remains in a stationary position.

The small lever on the back of the reel operates the on/off mechanism that allows you to disengage the non-reverse action when required.

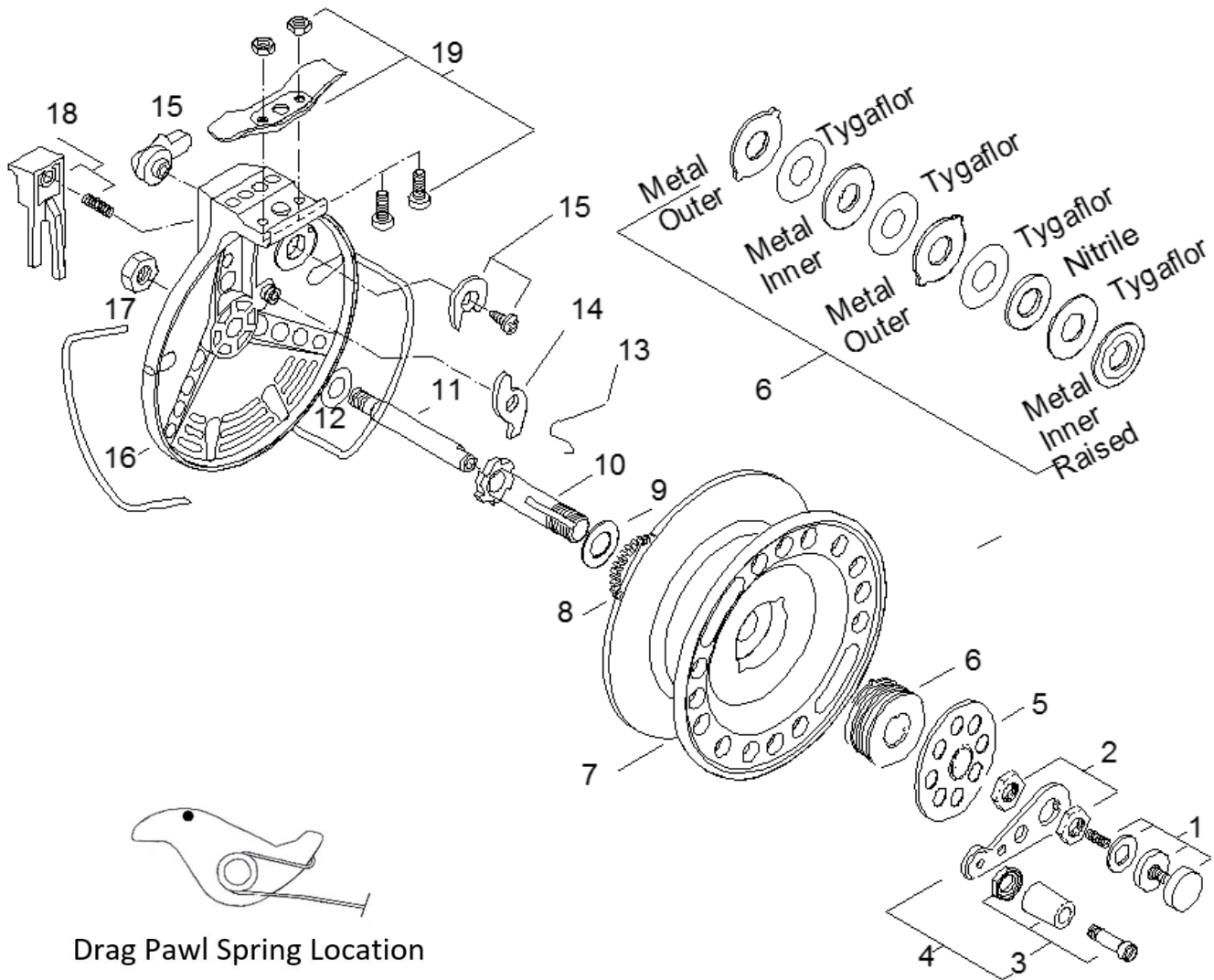


Alvey 10 Year Guarantee:

Any faulty Alvey part or reel will be replaced at no charge providing the manufacturer finds the part or reel has had normal usage and attention.

Reel Icon Pty Ltd Trading as
Alvey Reels Australia ABN 57 625 261 707
2-6 Antimony Street Carole Park Qld 4300
t: +61 7 3271 2844 f: +61 7 3271 2451

For more hints and tips on maintenance, please visit the **spare parts** page at
www.alvey.com.au
e: info@alvey.com.au
[#alveyreels](https://www.instagram.com/alveyreels)



Drag Pawl Spring Location

Key	Part	Description	Key	Part	Description
1	R6E2	Spindle Screw	11	R6A22	Spindle
2	R7F1	Handle Lock Nuts	12	R6J7	Spindle Washer
3	R4F13	Handle Assembly	13	R5G4-LH	Drag Spring
4	R7E2	Handle-plate Assy	14	R7J6-LH	Drag Pawl
5	R7D2	Drag Tension Wheel	15	R7K9-LH	Non Reverse Lever Kit
6	R7B/C9	Drag Washer Set	16	R1A	Graphite Back
7	R4A	Spool Only	17	R6F1	Spindle Hex Nut
8	R5B6	Ratchet Wheel	18	R5E9	Ratchet Switch
9	R7H2	Friction Tube Washer	19	R2C4	Base Plate Assembly
10	R7A2-LH	Friction Tube			

Special Note:

The 40GVCN2 cannot be converted from left hand wind to right hand wind. A right-hand wind version is available.